

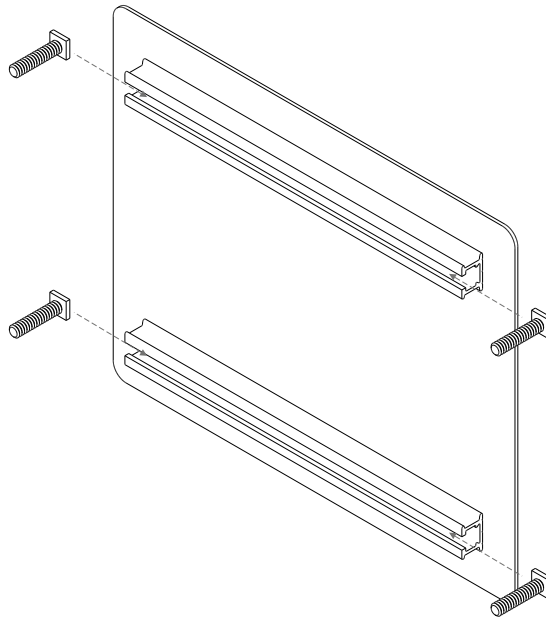
Tools Required



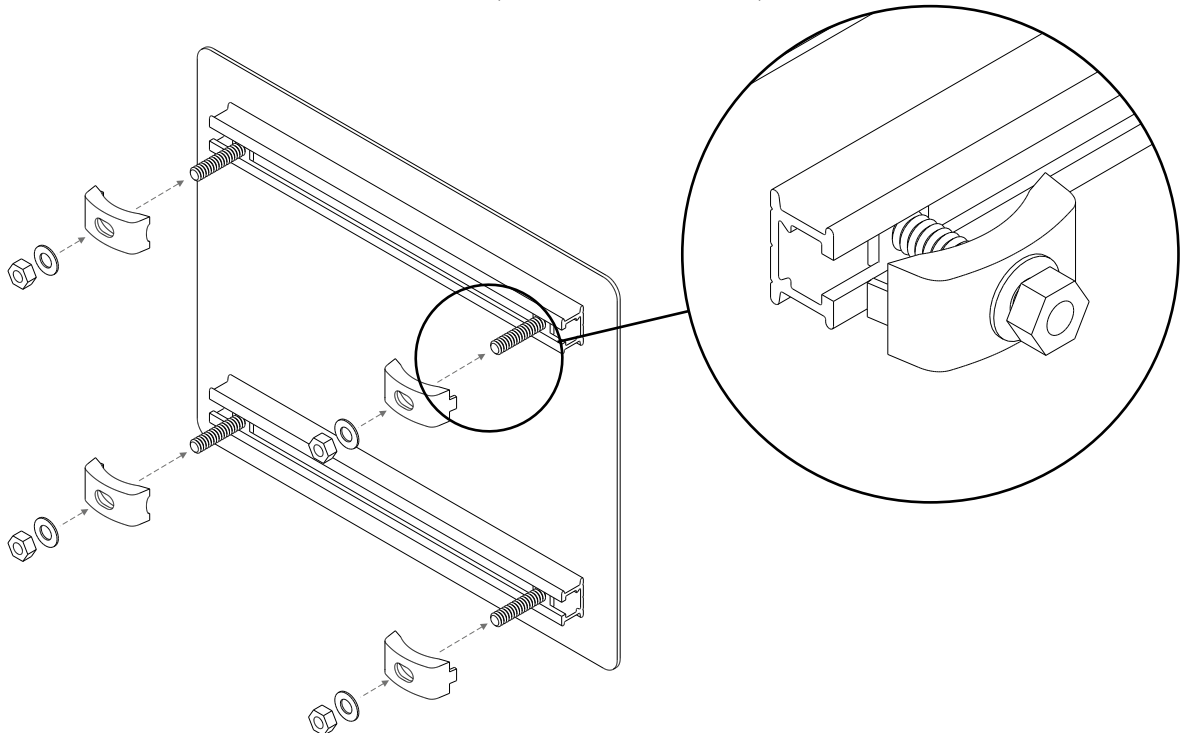
PANEL MOUNTED WITH RSJ CLIPS

Assembling & Mounting

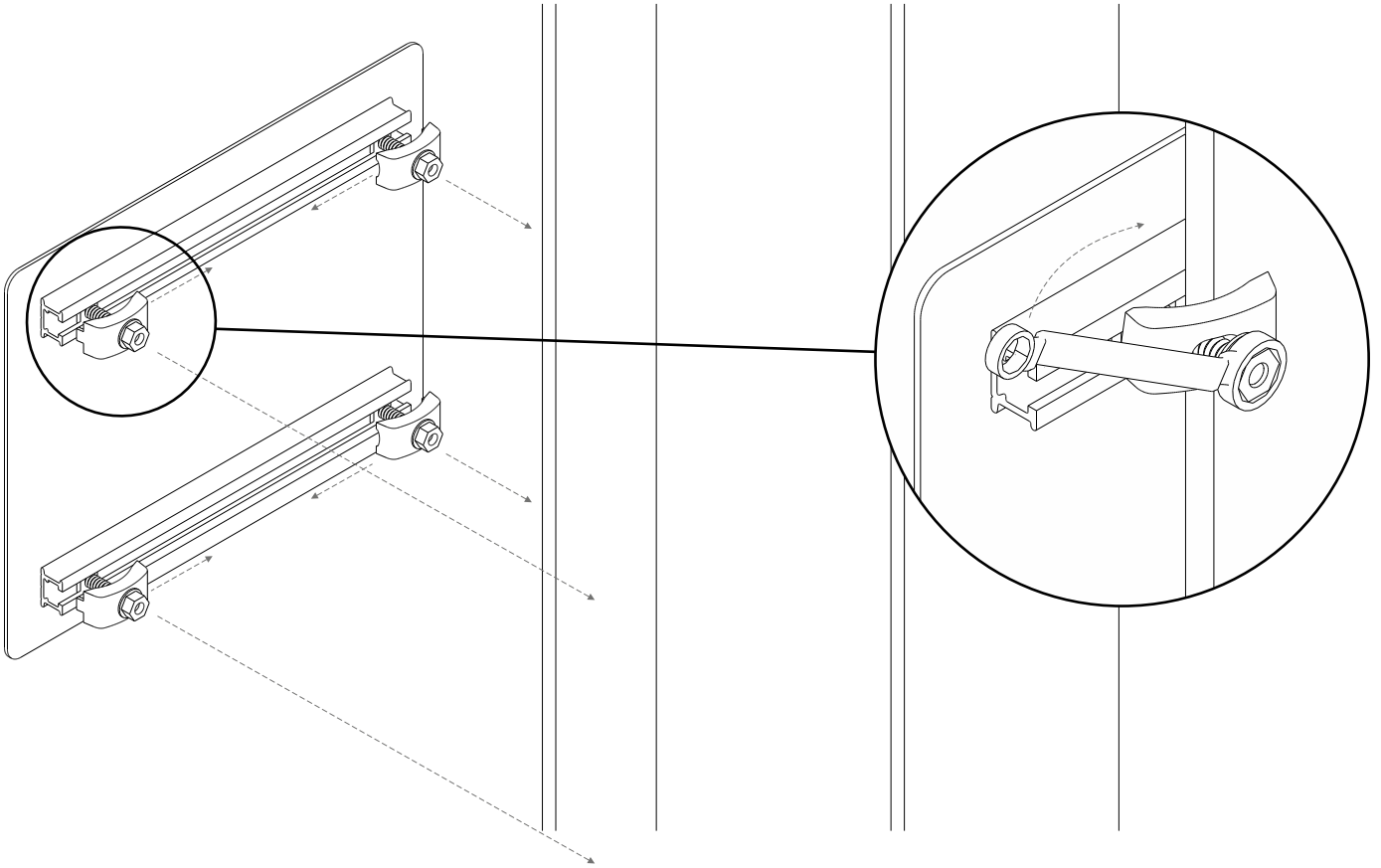
1. Slide the M8 Square Head Bolts into the Clip Extrusion



2. Place the RSJ Clips onto the M8 Square Head Bolt and install washer and M8 Nut (Do not tighten / Leave loose)



3. Place the back of the panel up against the RSJ and slot the RSJ Clips in behind the RSJ, then tighten the M8 Nuts to clamp into place.



4. Your RSJ Mounted Panel is now complete.

