

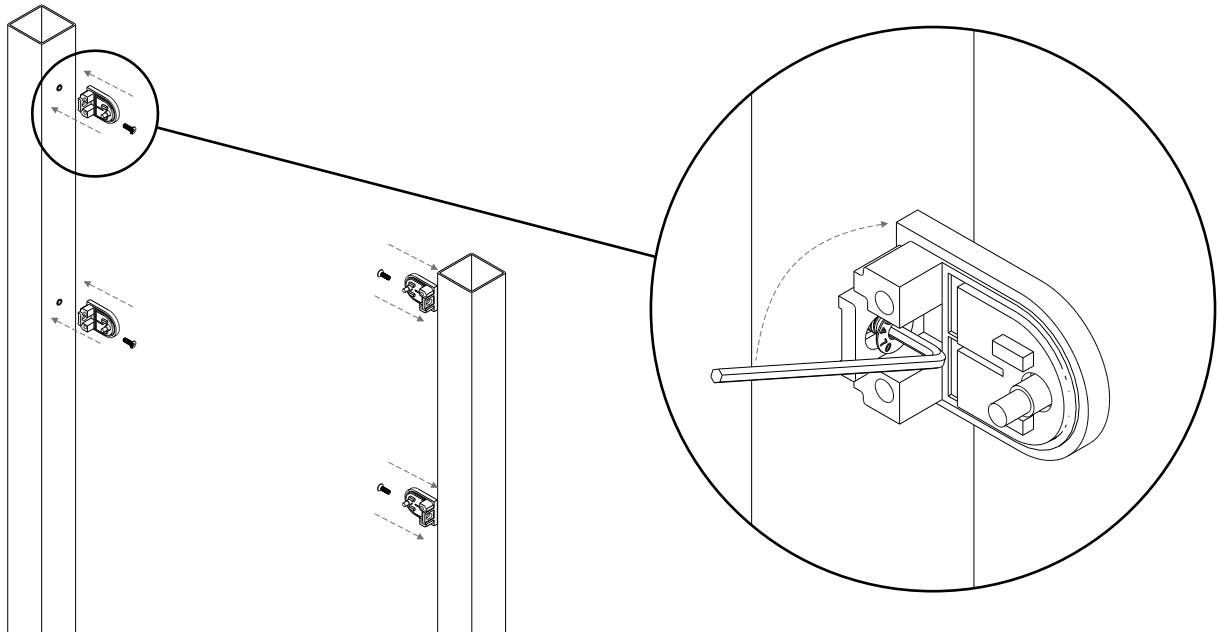
Tools Required



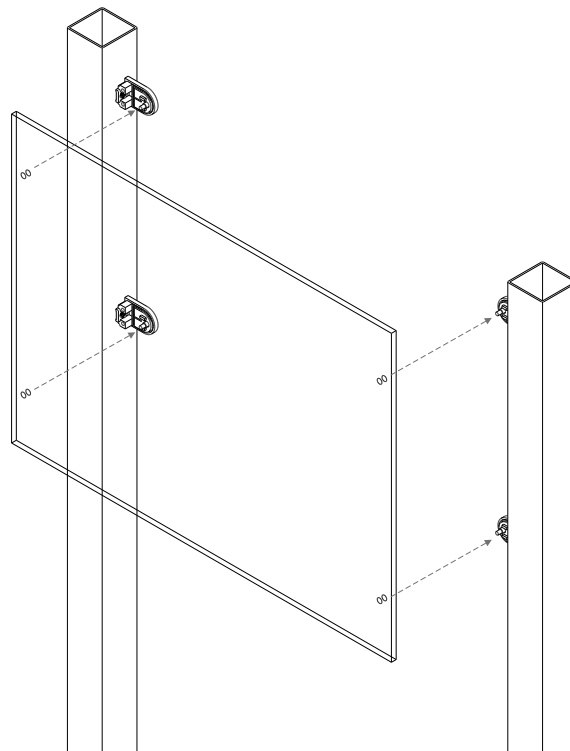
# POST MOUNTED GLASS EFFECT PANEL WITH GLASS CLAMPS

## Assembling & Mounting

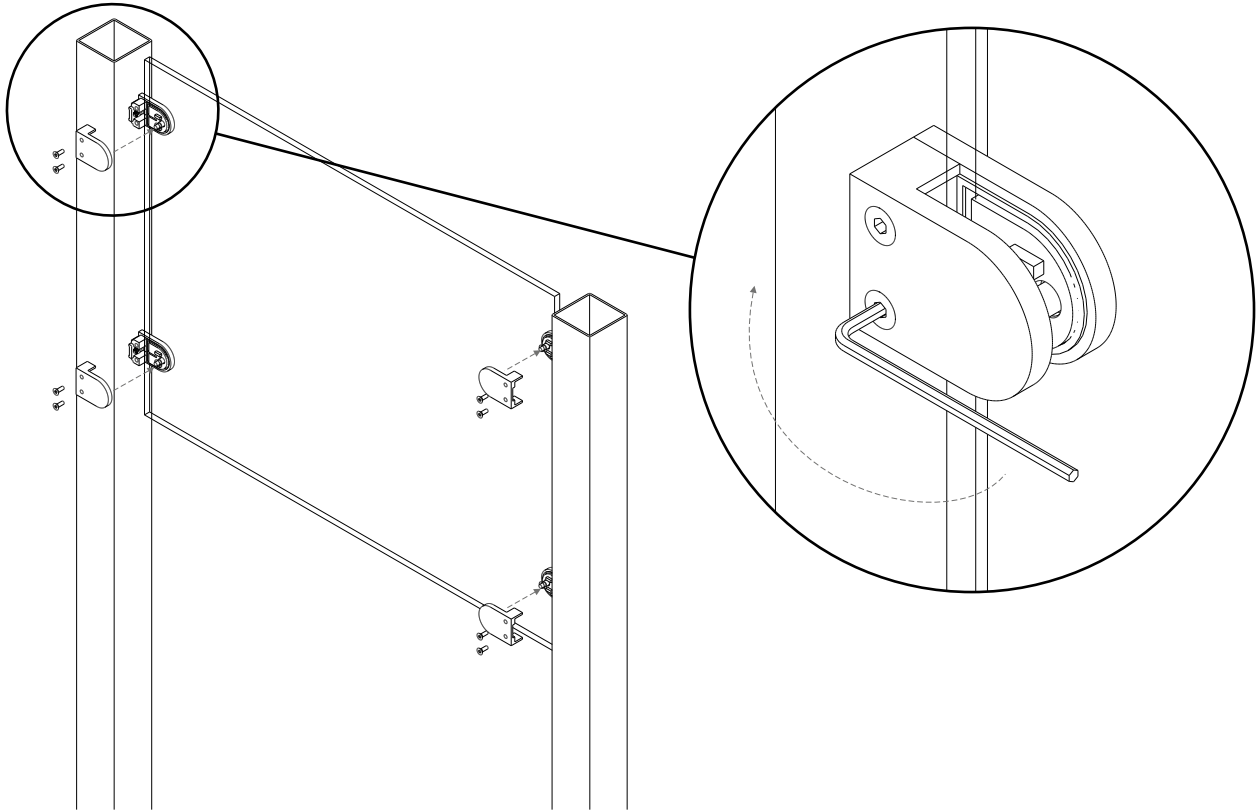
1. Bolt the Back Section of the Stand Glass Clamps into the posts



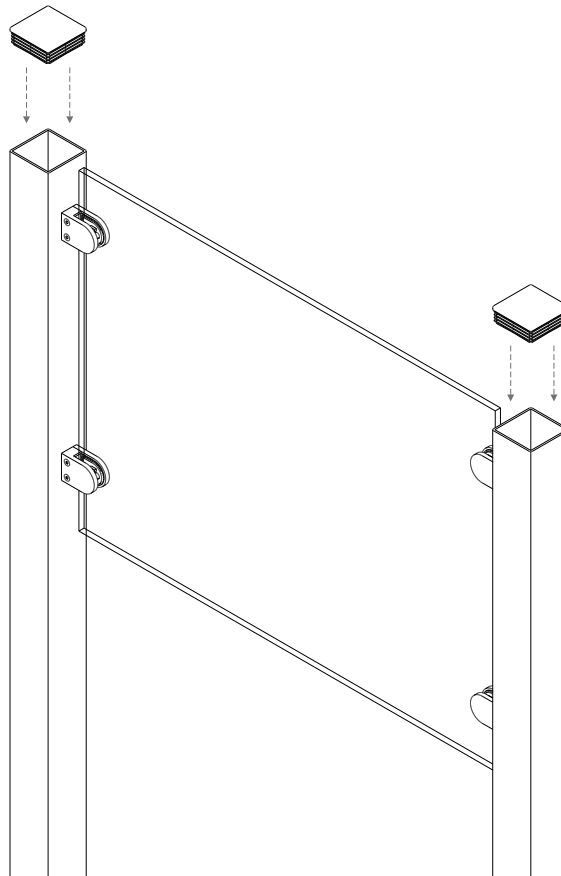
2. Place the Acrylic panel onto the mounted Glass Clamp (Back Section). Align holes with pins



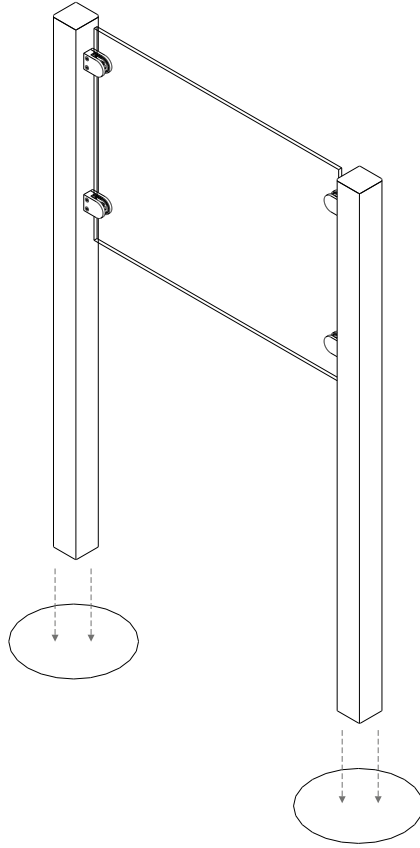
**3. Fix front section of the Glass Clamp on. To Clamp the acrylic in place**



**4. Slot Post Caps into the top of the posts.**



5. Now you can mount your signage into the ground.



6. The Sign is now complete

