

Tools Required

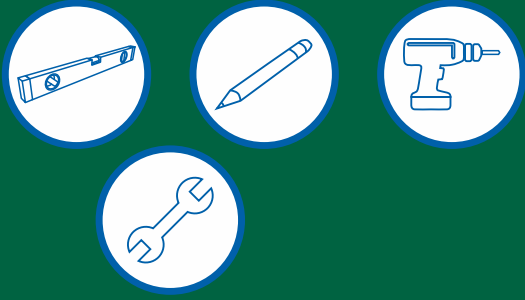
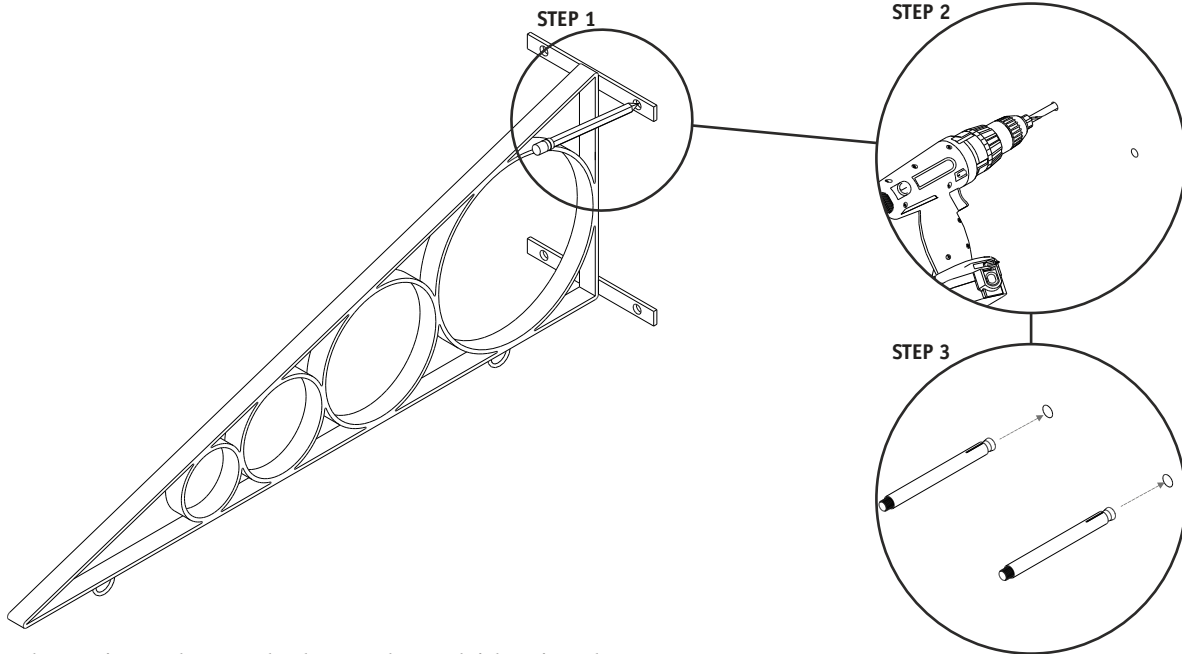


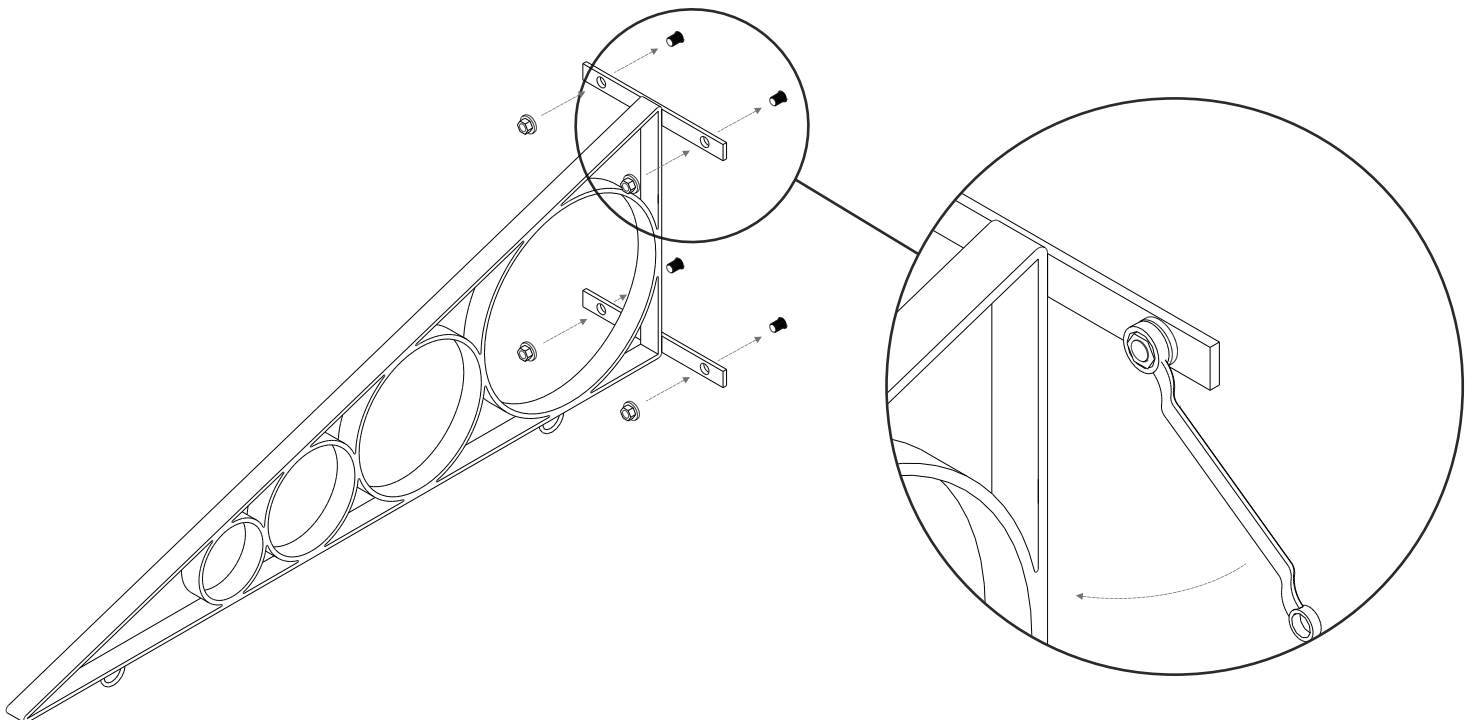
PLATE SUSPENDED WITH A HANGING BRACKET

Assembling & Mounting

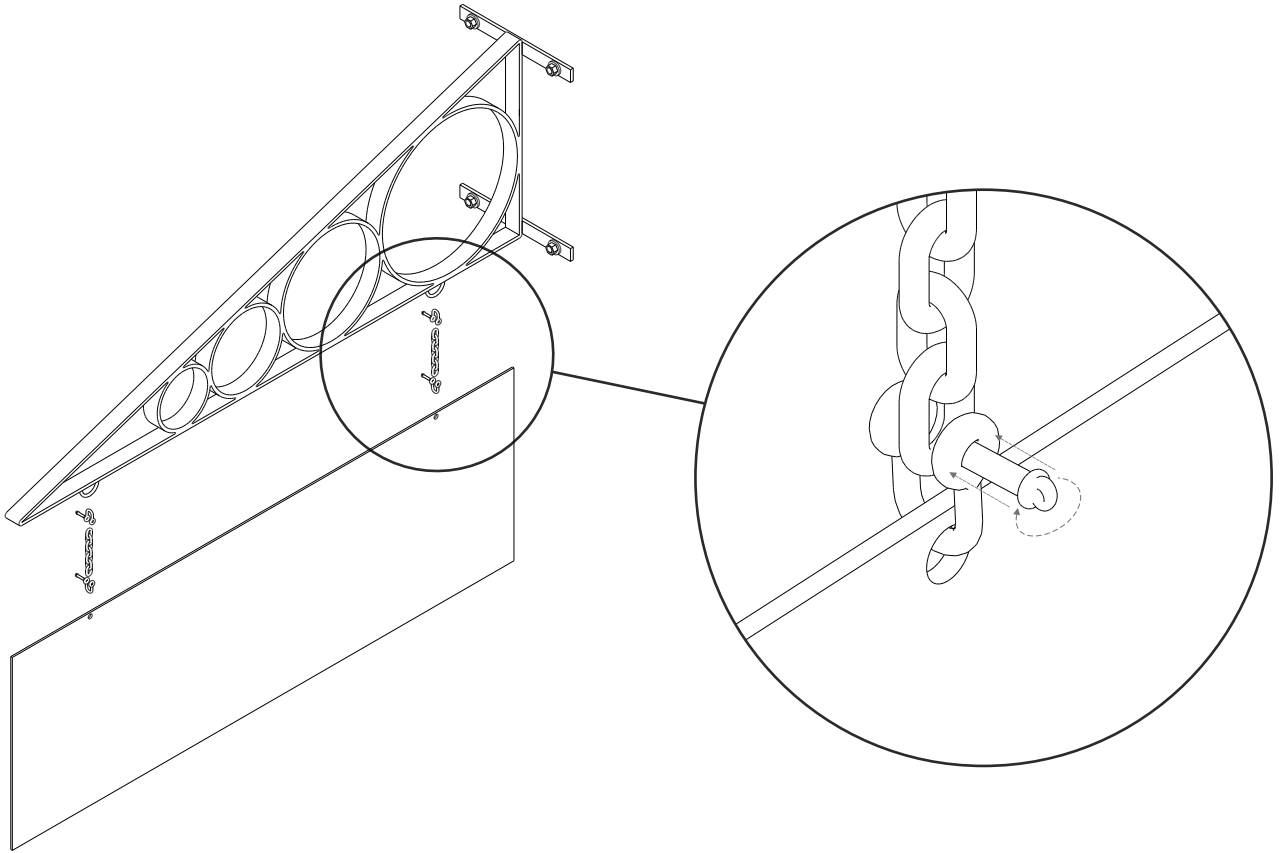
1. Position your panel on the wall (use a spirit level if required) mark your holes on the wall (Step 1)
Drill the holes for the Anchor Bolts (Step 2), Then place the Sleeve anchors into the holes (Step 3)



2. Slot the Hanging Bracket onto the sleeve anchors and tighten into place.



3. Join the Sign Plate to the Hanging Bracket with chain (Not supplied) and shackles.



4. The Suspended Plate Sign is now complete.

